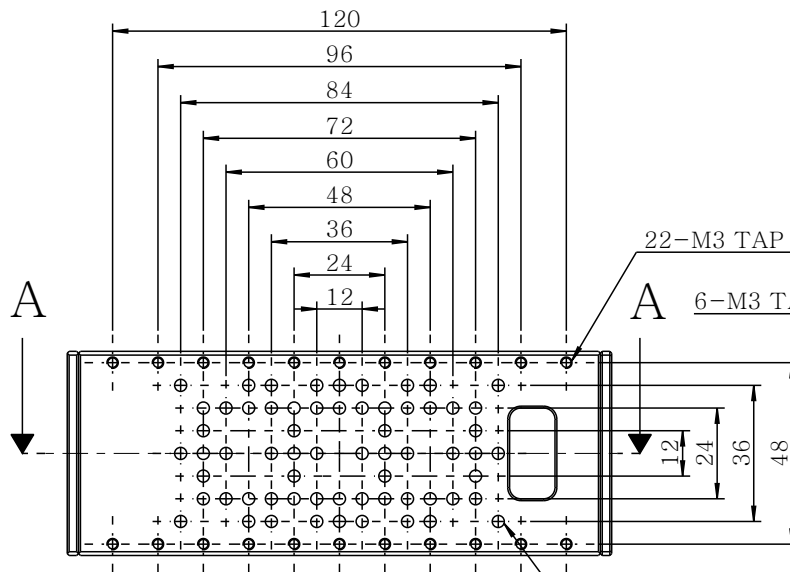
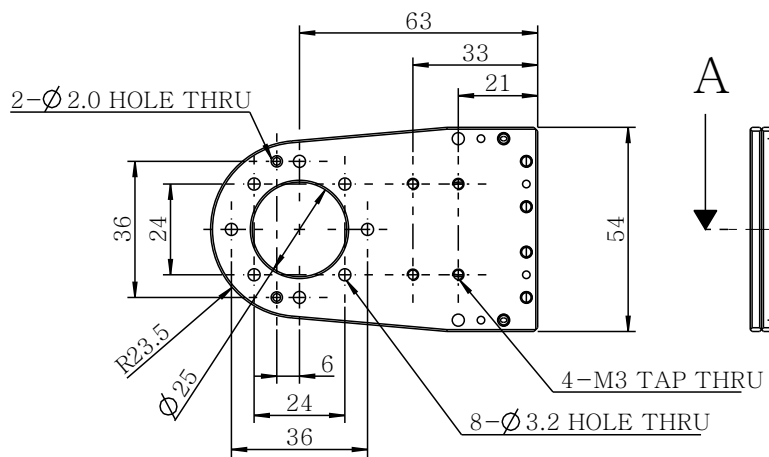
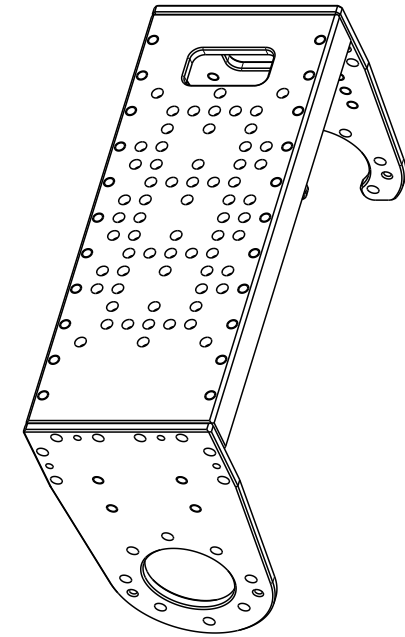
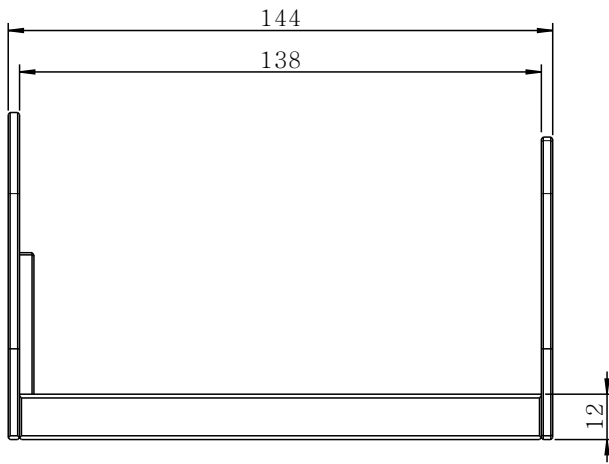
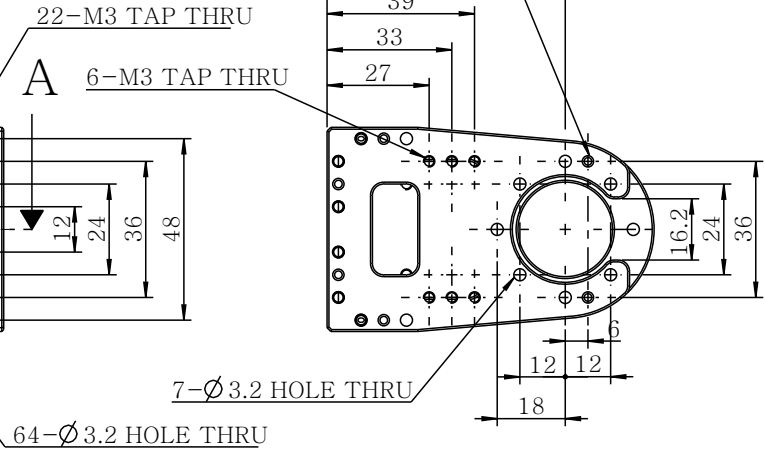


SECTION A-A  
SCALE 1/2



SCALE 1/2



[FOR REFERENCE ONLY]

Title	FRP54-H210	Material	AL	Scale	NONSCALE	Unit	mm	Sheet	1 of 1	ROBOTS
Date	01/07/2014									
A4										